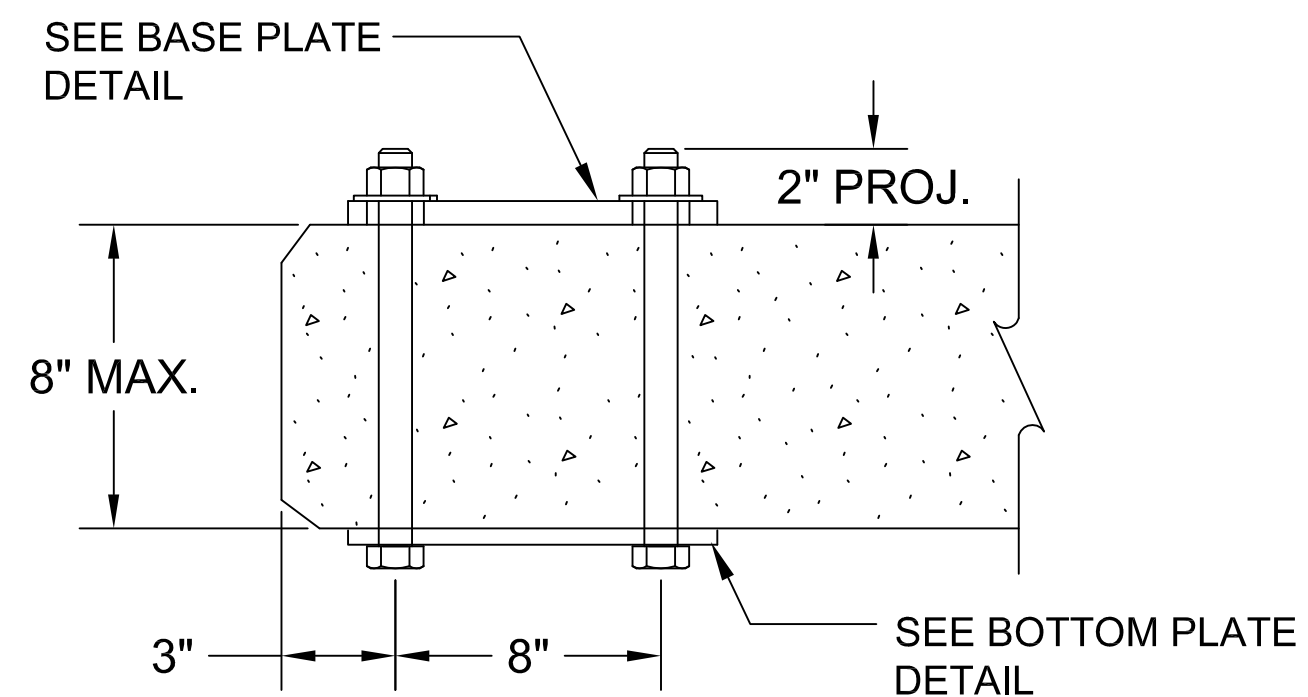
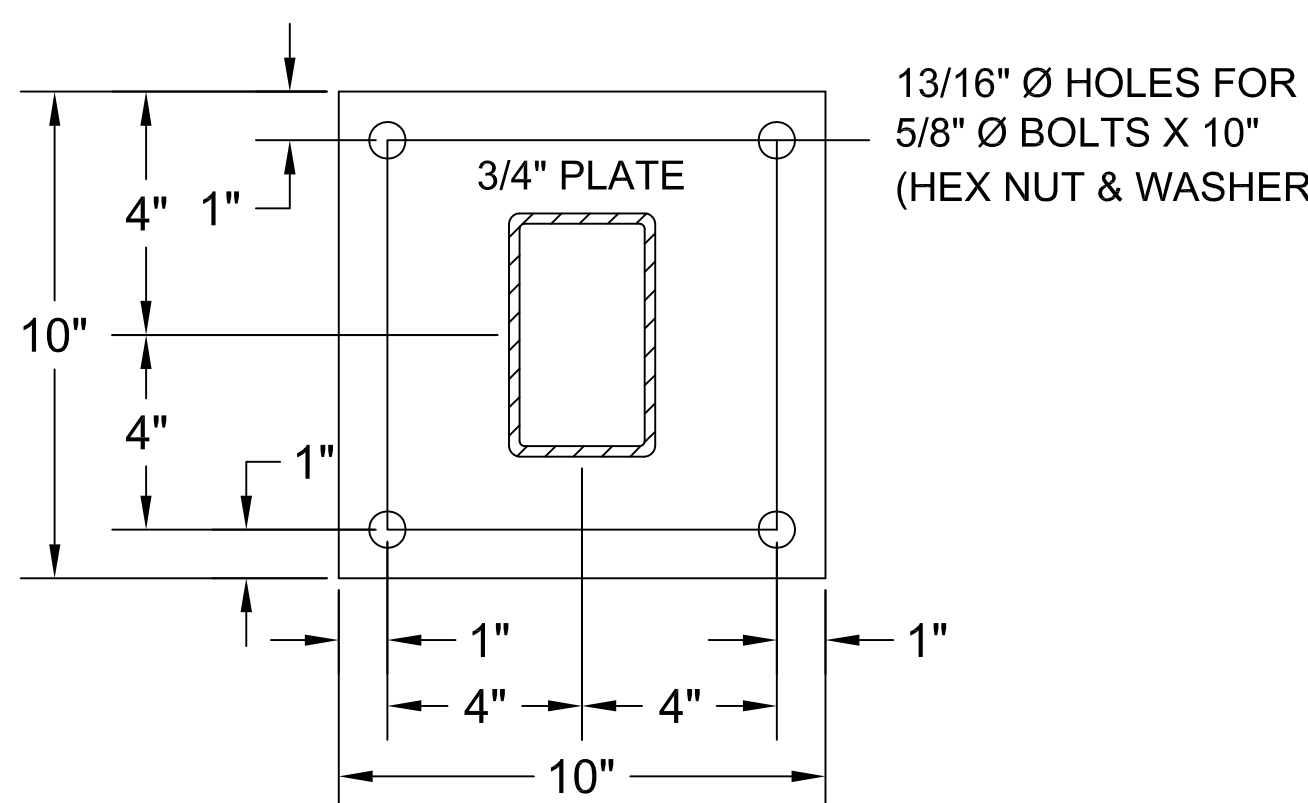


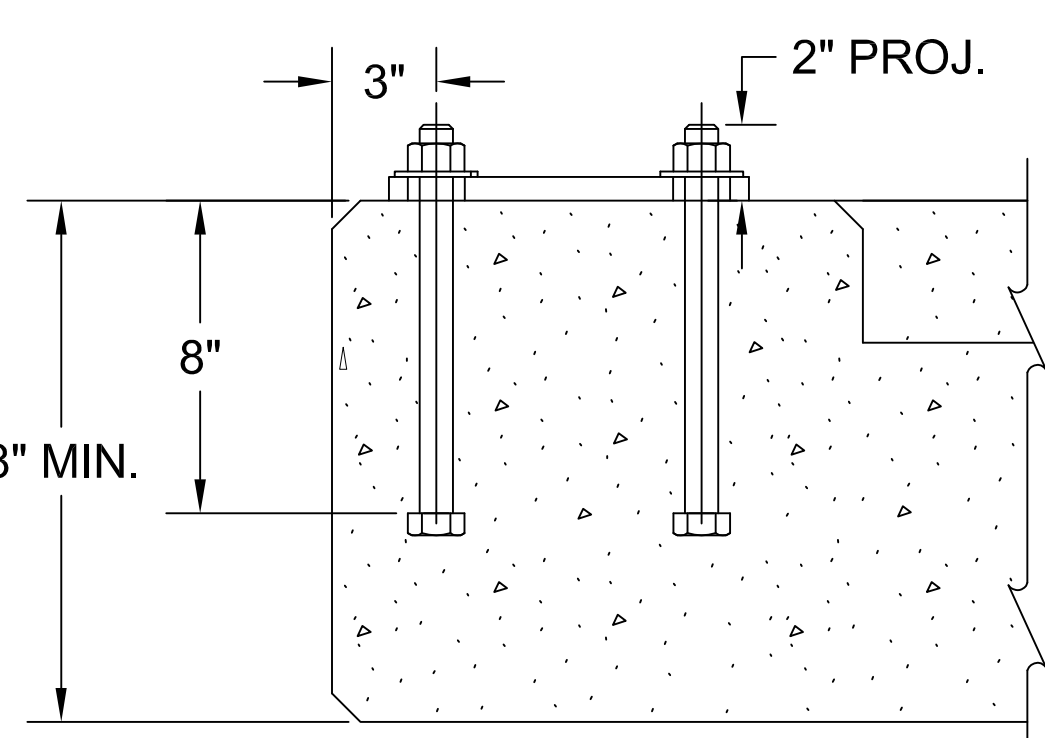
ON ABUT WING OR CAP RETAINING WALL



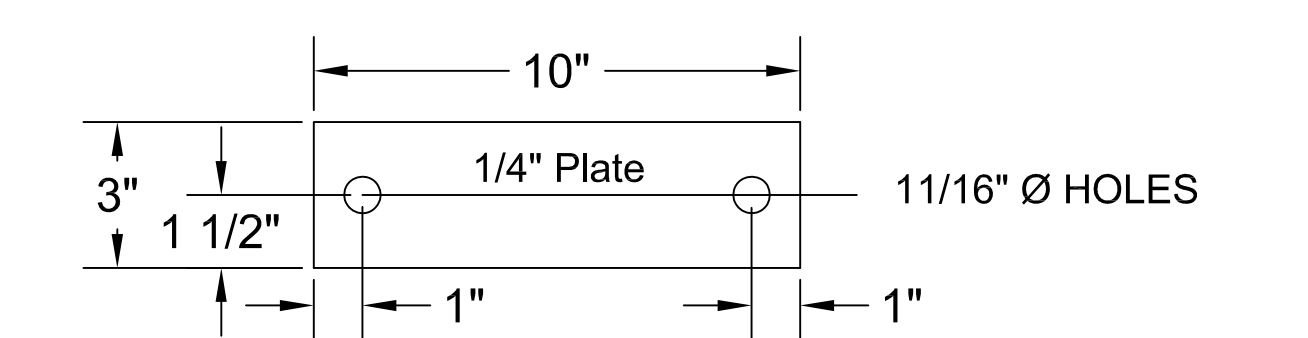
BASIC CONDITION



BASE PLATE DETAIL



ON CULVERTS OR SLABS OVER 8\"/>



BOTTOM PLATE DETAIL

GENERAL NOTES:

- DESIGNED ACCORDING TO CURRENT AASHTO STANDARD SPECIFICATION FOR HIGHWAY BRIDGES.
- PIPE AND TUBE FOR RAIL SHALL CONFORM TO ASTM A53 GRADE B. OR A501. PLATES SHALL BE ASTM A36.
- ALL ANCHOR BOLTS, NUTS, WASHERS AND BOTTOM PLATES TO BE INCLUDED IN UNIT PRICE BID FOR RAILING.
- ALL STEEL COMPONENTS TO BE HOT-DIP GALVANIZED PER ASTM A123 WITH A MINIMUM COATING THICKNESS OF 2.0 MILS (COATING GRADE 50) UNLESS OTHERWISE SHOWN ON THE PLANS.
- ANCHOR BOLTS, NUTS, AND WASHERS SHALL BE STAINLESS STEEL TYPE 304 WITH MINIMUM YIELD STRENGTH OF 36 KSI.
- FACE OF RAIL AND POSTS SHALL BE VERTICAL TRANSVERSELY UNLESS OTHERWISE APPROVED BY THE ENGINEER. POSTS SHALL BE PERPENDICULAR TO ADJACENT ROADWAY GRADE. GROUT MAY BE USED UNDER BASE PLATES IF NECESSARY.
- SHOP DRAWINGS TO BE SUBMITTED TO THE BRIDGE ENGINEER FOR APPROVAL WILL BE REQUIRED ONLY FOR RAILS ON HORIZONTAL CURVES IN WHICH CASE THE RAIL MEMBERS SHALL BE FABRICATED TO THE REQUIRED RADIUS FOR RADII OF 600' OR LESS. FOR RAILS NOT REQUIRING SHOP DRAWINGS, ERECTION DRAWINGS SHOWING PANEL LENGTHS, SPLICE LOCATIONS, RAIL POST SPACING AND ANCHOR BOLT SETTING SHALL BE SUBMITTED TO THE AREA ENGINEER FOR APPROVAL.
- SHOP DRAWINGS MAY BE SUBMITTED AS 11" X 17" PRINTS PROVIDED THEY ARE CLEARLY LEGIBLE.
- EXPOSED EDGES OF RAIL AND POSTS SHALL BE ROUNDED OR CHAMFERED TO APPROXIMATELY 1/16" BY GRINDING.
- PROVIDE SEALED ENGINEERING SHOP DRAWINGS OF THE DECORATIVE HANDRAIL BASED UPON THE CONCEPT DRAWINGS ON THIS SHEET
- HANDRAIL TO CONFORM TO AASHTO LRFD SPECIFICATIONS FOR HIGHWAY BRIDGES (4TH EDITION).
- HANDRAIL POSTS TO MATCH BOLT PATTERN SPACING SHOWN ON THE BRIDGE PLANS AND DETAILS.

PAINTING:

- PRIMER FOR ALL STEEL SURFACES - RUST-OLEUM HEAVY DUTY RUST-INHIBITIVE PRIMER - 1069 RED.
- PAINT R-1 BRIDGE RAILING - BOLLARD: RUST-OLEUM INDUSTRIAL ENAMEL - 634402 HIGH GLOSS BLACK.
- PAINT R-2 BRIDGE RAILING - STAR: RUST-OLEUM -1936 BRASS METALLIC OR 1910 GOLD METALLIC.
- PAINT R-3 BRIDGE RAILING - STAR CIRCLE: RUST-OLEUM - INDUSTRIAL ENAMEL - 935402 VISTA GREEN.
- PRIMER ALTERNATE: PRIMER FOR ALL STEEL SURFACES - SHERWIN WILLIAMS - MACROPOXY 646 FAST CURE EPOXY - GRAY COLOR.
- PAINT ALTERNATE : R-1 BRIDGE RAILING - RAILING, POST AND PICKETS: SHERWIN WILLIAMS - HI SOLIDS POLYURETHANE B65B311 GLOSS BLACK.
- PAINT ALTERNATE: R-2 BRIDGE RAILING - STAR: RUST-OLEUM 1936 BRASS METALLIC (SPRAY CAN).
- PAINT ALTERNATE: R-3 BRIDGE RAILING - STAR CIRCLE: SHERWIN WILLIAMS - HI SOLIDS POLYURETHANE B65T304 HUNTER GREEN.



REVISION TABLE			PEDESTRIAN BRIDGE RAIL		
NO.	REVISION	DATE	ENGINEERING DIVISION		
			GENERAL DESIGN STANDARDS		
			City of Mesquite, Texas		
			APPROVAL DATE	SCALE	DRAWN BY
			7/7/2010	N.T.S.	TSL