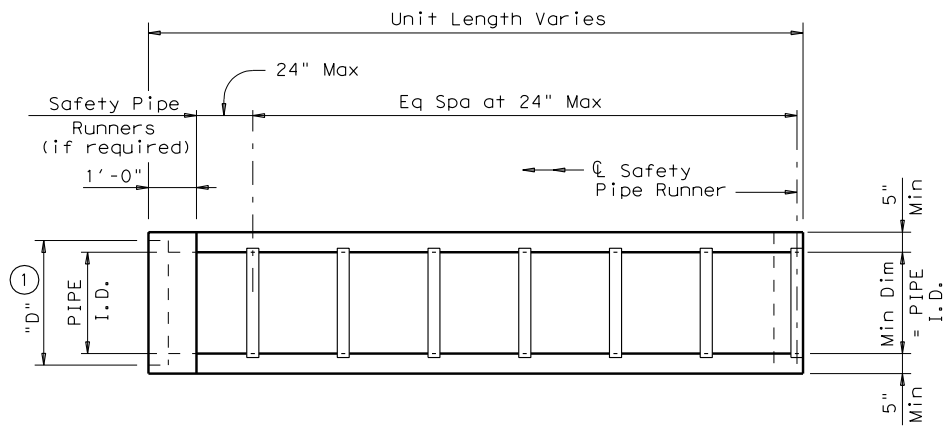
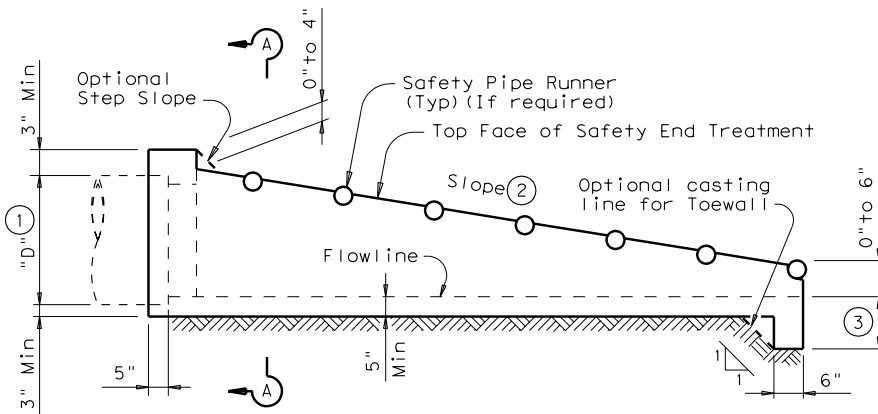


DISCLAIMER: The use of this standard is governed by the "Texas Engineering Practice Act". No warranty of any kind is made by TxDOT for any purpose whatsoever. TxDOT assumes no responsibility for the conversion of this standard to other formats or for incorrect results or damages resulting from its use.

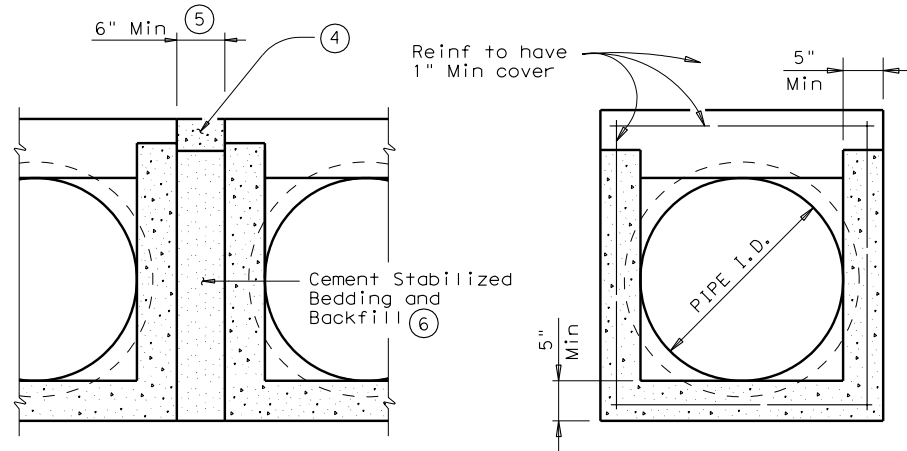
LEVELS DISPLAYED	ACC:
1	



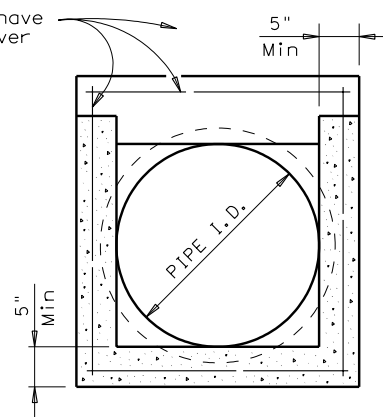
PLAN



LONGITUDINAL ELEVATION

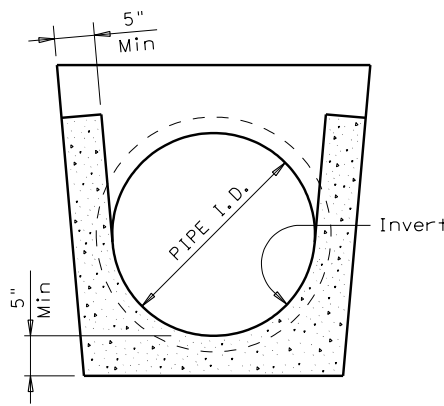


MULTIPLE PIPE INSTALLATION

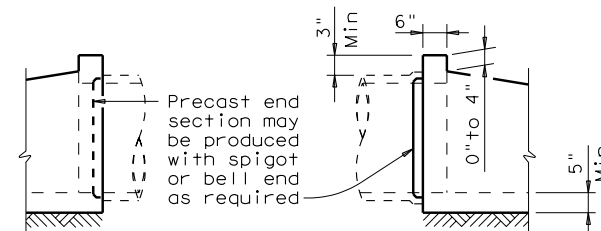


OPTION WITH SQUARE BOTTOM

SECTION A-A

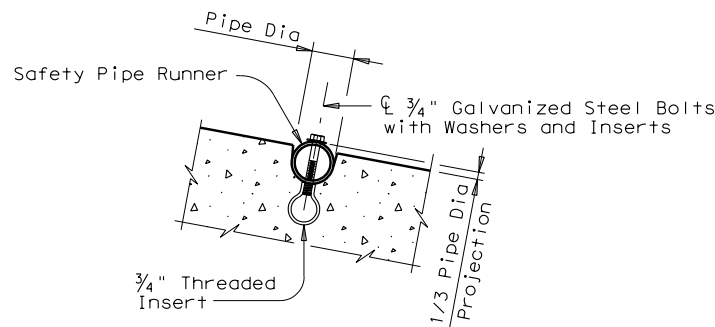


OPTION WITH INVERT BOTTOM



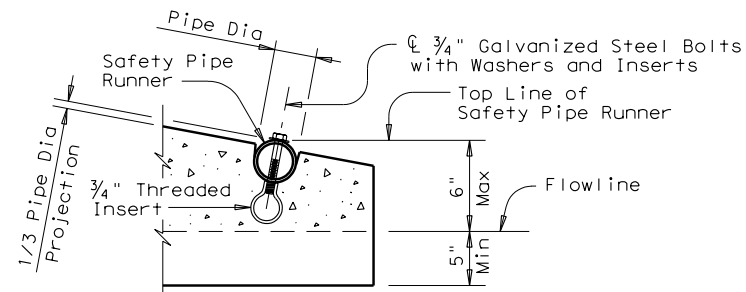
OPTIONAL JOINT

(Showing joint between RCP and Precast Safety End Treatment)

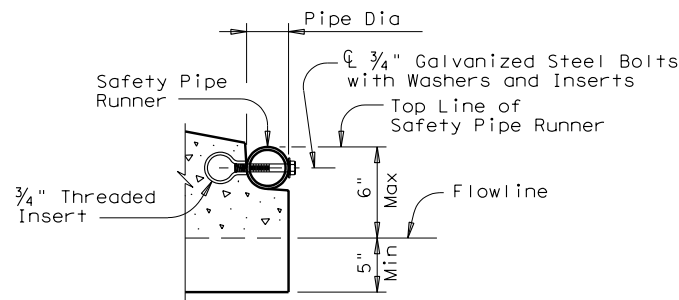


INSTALLATION DETAIL FOR SAFETY PIPE RUNNERS

(If required)



OPTION A



OPTION B

END DETAILS FOR INSTALLATION OF SAFETY PIPE RUNNERS

(If required)

PIPE I. D.	PIPE WALL "B" THICKNESS	"D"	MAXIMUM SLOPE	MINIMUM LENGTH OF UNIT	PIPE RUNNERS REQUIRED		REQUIRED PIPE RUNNER SIZES		
					SINGLE PIPE	MULTIPLE PIPE	NOMINAL DIA.	O. D.	I. D.
12"	2"	17"	6:1	4'-9"	No	Yes, for >2 pipes	3" STD	3.500"	3.068"
15"	2 1/4"	20 1/2"	6:1	6'-5"	No	Yes, for >2 pipes	3" STD	3.500"	3.068"
18"	2 1/2"	24"	6:1	8'-0"	No	Yes, for >2 pipes	3" STD	3.500"	3.068"
24"	3"	31"	6:1	11'-3"	No	Yes, for >2 pipes	3" STD	3.500"	3.068"
30"	3 1/2"	38 1/2"	6:1	14'-8"	No	Yes	4" STD	4.500"	4.026"
36"	4"	45 1/2"	6:1	17'-11"	Yes	Yes	4" STD	4.500"	4.026"
42"	4 1/2"	52 1/2"	6:1	21'-2"	Yes	Yes	4" STD	4.500"	4.026"

- Dimension "D" is based on ASTM C-76, Class III, Wall "B" thickness. If any other wall thickness is used, dimension "D" must be adjusted accordingly.
- Slope as shown elsewhere in the plans. Slope of 6:1 or flatter is required for vehicle safety.
- Toewall to be used only when dimension is shown elsewhere in the plans.
- The top 4" of void between Precast End Treatments shall be filled with concrete Riprap and shall be considered subsidiary to Safety End Treatment.
- Clear distance between pipes shall be adjusted to provide for the minimum distance between safety end treatments.
- Cement stabilized bedding and backfill shall be in accordance with the Item, "Excavation and Backfill for Structures". Bedding and backfill shall be considered subsidiary to the Item "Safety End Treatment". When concrete riprap is specified around the safety end treatment, backfill shall be as directed by Engineer.

GENERAL NOTES:

Precast safety end treatment for reinforced concrete pipe may be used for TYPE II end treatment as specified in Item "Safety End Treatment". When Precast Safety End Treatment is used as a Contractor's alternate to mitered RCP, Riprap will not be required unless noted otherwise on the plans.

Manufacture of this product shall conform to requirements of Item "Safety End Treatment" except as noted below:

- Minimum reinforcing shall be #4 at 6" (Grade 40) or #4 at 9" (Grade 60) each way or 6 x 6 - W12 x W12 or 5 x 5 - W10 x W10 welded wire fabric.
- Concrete for precast (steel formed) sections shall be Class "C" with a minimum compressive strength of 3600 psi.

At the option and expense of the Contractor the next larger size of Safety End Treatment may be furnished; as long as the "D" dimension cast is that of the required size of pipe.

Pipe Runners are designed for a traversing load of 10,000 Lbs at yield as recommended by Research Report 280-2F, "Safety Treatment of Roadside Parallel-Drainage Structures", Texas Transportation Institute, March 1981.

Pipe Runners shall conform to the requirements of ASTM A53 (Type E or S, Grade B), ASTM A500 (Grade B), or API 5LX52.

All steel components except reinforcing, shall be galvanized after fabrication. Galvanizing damaged during transport or construction shall be repaired in accordance with the specifications.



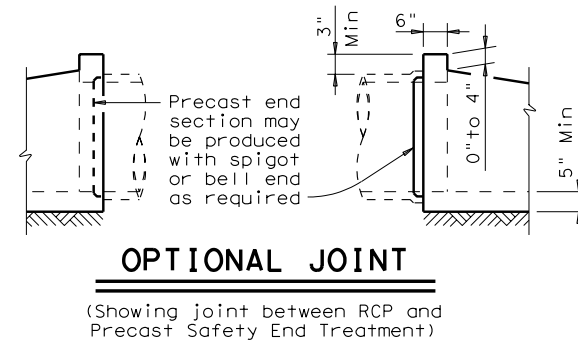
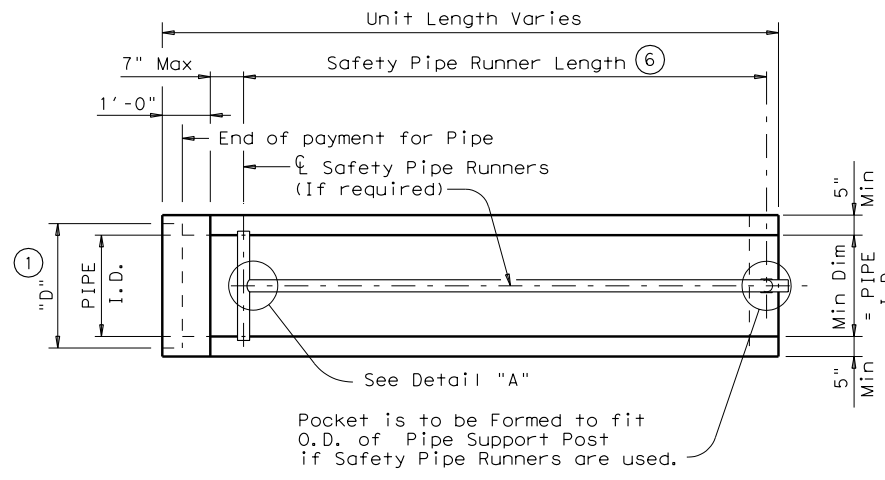
PRECAST SAFETY END TREATMENT TYPE II ~ PARALLEL DRAINAGE

PSET-SP

FILE: psetspse.dgn	DN: RLW	CK: KLR	DW: JTR	CK: GAF
© TxDOT May 2005	DISTRICT	FEDERAL AID PROJECT		SHEET
REVISIONS				
	COUNTY	CONTROL	SECT	JOB
				HIGHWAY

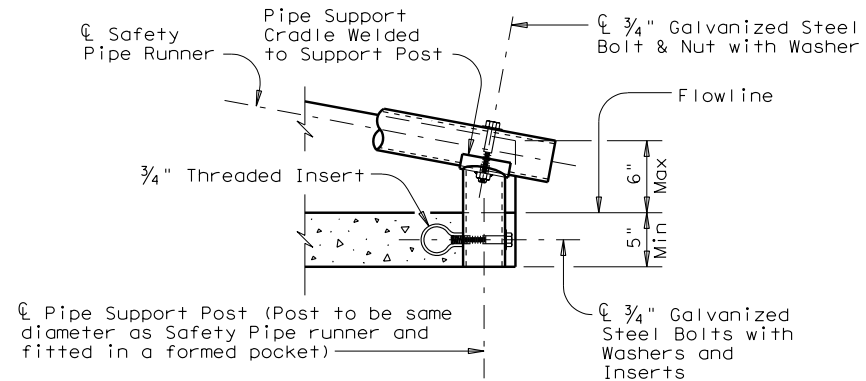
DISCLAIMER: The use of this standard is governed by the "Texas Engineering Practice Act". No warranty of any kind is made by TxDOT for any purpose whatsoever. TxDOT assumes no responsibility for the conversion of this standard to other formats or for incorrect results or damages resulting from its use.

PIPE I.D.	PIPE WALL "B" THICKNESS	"D"	SLOPE	MINIMUM LENGTH OF UNIT	SINGLE PIPE		MULTIPLE PIPE	
					SKEW	PIPE RUNNERS REQUIRED	SKEW	PIPE RUNNERS REQUIRED
12"	2"	17"	3:1	2'-11"	<=45 deg	No	<=45 deg	No
			4:1	3'-6"				
			6:1	4'-9"				
15"	2 1/4"	20 1/2"	3:1	3'-8"	<=45 deg	No	<=45 deg	No
			4:1	4'-7"				
			6:1	6'-5"				
18"	2 1/2"	24"	3:1	4'-6"	<=45 deg	No	<=45 deg	No
			4:1	5'-8"				
			6:1	8'-0"				
24"	3"	31"	3:1	6'-2"	<=45 deg	No	<=30 deg	No
			4:1	7'-10"				
			6:1	11'-3"				
30"	3 1/2"	38 1/2"	3:1	7'-10"	<=15 deg	No	<=15 deg	No
			4:1	10'-1"				
			6:1	14'-8"				
36"	4"	45 1/2"	3:1	9'-5"	=0 deg	No	=>0 deg	Yes
			4:1	12'-3"				
			6:1	17'-11"				
42"	4 1/2"	52 1/2"	3:1	11'-1"	=>0 deg	Yes	=>0 deg	Yes
			4:1	14'-5"				
			6:1	21'-2"				

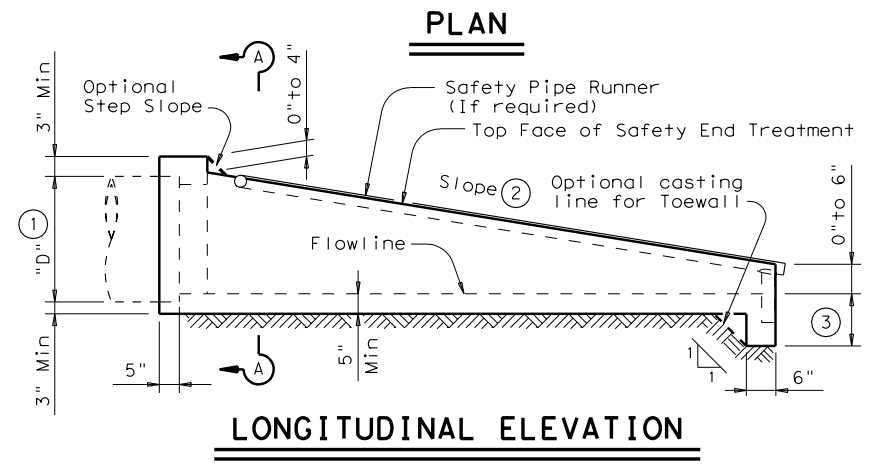


Maximum Safety Pipe Runner Length	Required Pipe Runner Size		
	Pipe Size	Pipe O.D.	Pipe I.D.
11' - 2"	3" STD	3.500"	3.068"
15' - 6"	3 1/2" STD	4.000"	3.548"
20' - 10"	4" STD	4.500"	4.026"
35' - 4"	5" STD	5.563"	5.047"

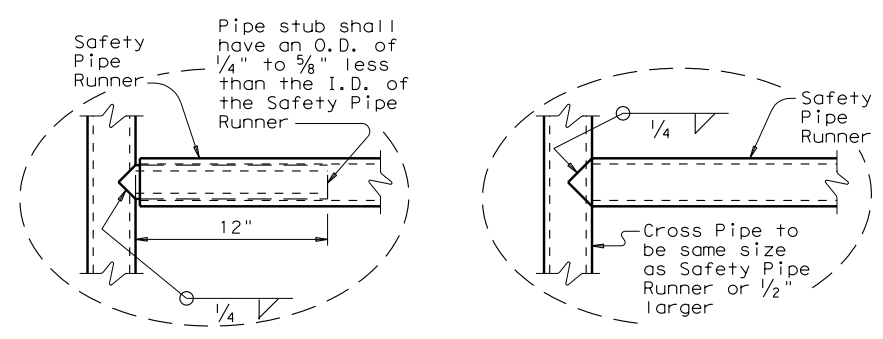
- Dimension "D" is based on ASTM C-76, Class III, Wall thickness "B". If any other wall thickness is used, dimension "D" must be adjusted accordingly.
- Slope as shown elsewhere in plans. Slope of 3:1 or flatter is required for vehicle safety.
- Toewall to be used only when dimension is shown elsewhere in the plans.
- The top 4" of void between precast end treatments shall be filled with concrete riprap and shall be considered subsidiary to Safety End Treatment.
- Clear distance between pipes shall be adjusted to provide for the minimum distance between safety end treatments.
- Measured along Slope.
- Cement stabilized bedding and backfill shall be in accordance with the Item, "Excavation and Backfill for Structures". Bedding and backfill shall be considered subsidiary to the Item "Safety End Treatment". When concrete riprap is specified around the safety end treatment, backfill shall be as directed by Engineer.



END DETAIL FOR INSTALLATION OF SAFETY PIPE RUNNERS
(If required)



LONGITUDINAL ELEVATION



OPTION A **DETAIL A** **OPTION B**
(If required)

GENERAL NOTES:

Precast safety end treatment for reinforced concrete pipe may be used for TYPE II end treatment as specified in Item "Safety End Treatment". When Precast Safety End Treatment is used as a Contractor's alternate to mitered RCP, Riprap will not be required unless noted otherwise on the plans.

Manufacture of this product shall conform to requirements of Item "Safety End Treatment" except as noted below :

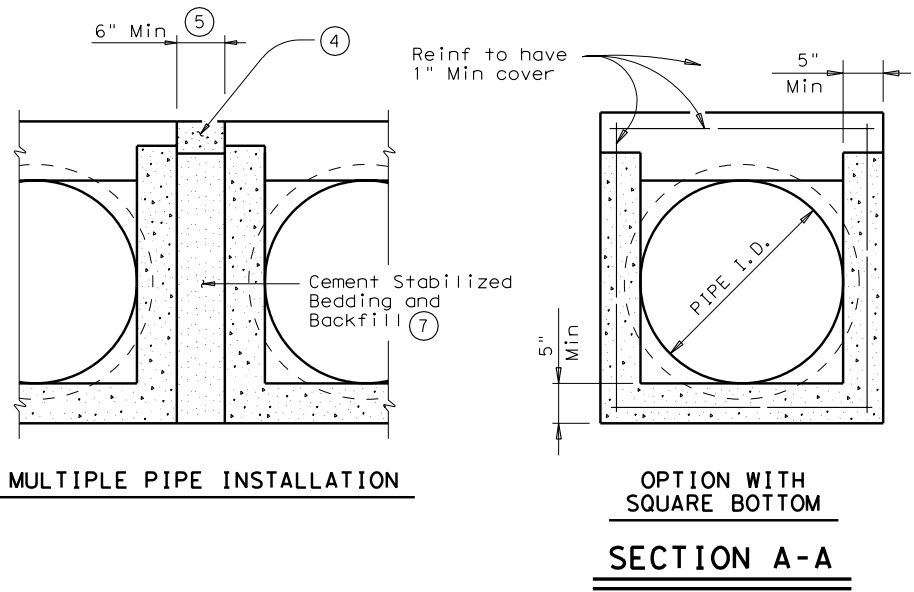
- Minimum reinforcing shall be #4 at 6" (Grade 40) or #4 at 9" (Grade 60) each way or 6 x 6 - W12 x W12 or 5 x 5 - W10 x W10 welded wire fabric.
- Concrete for precast (steel formed) sections shall be Class "C" with a minimum compressive strength of 3600 psi.

At the option and expense of the Contractor the next larger size of Safety End Treatment may be furnished; as long as the "D" dimension cast is that of the required size of pipe.

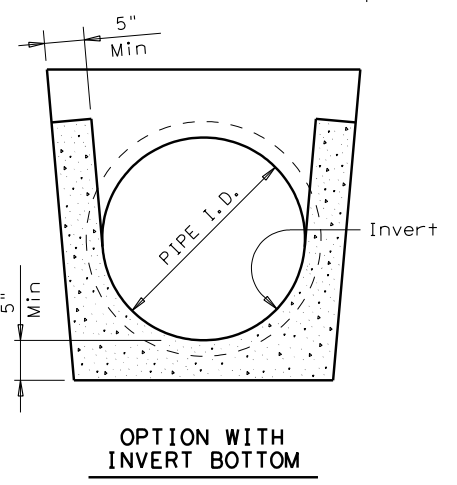
Pipe Runners are designed for a traversing load of 1,800 Lbs at yield as recommended by Research Report 280-1, "Safety Treatment of Roadside Cross-Drainage Structures", Texas Transportation Institute, March 1981.

Safety Pipe Runners, Cross Pipes, Pipe Support Posts, and Pipe Stubs shall conform to the requirements of ASTM A53 (Type E or S, Grade B), ASTM A500 (Grade B), or API 5LX52.

All steel components except reinforcing, shall be galvanized after fabrication. Galvanizing damaged during transport or construction shall be repaired in accordance with the specifications.



MULTIPLE PIPE INSTALLATION
SECTION A-A



INSTALLATION DETAIL FOR SAFETY PIPE RUNNERS
(If required)

Texas Department of Transportation
Bridge Division

PRECAST SAFETY END TREATMENT
TYPE II ~ CROSS DRAINAGE

PSET-SC

FILE: psetscse.dgn	DN: RLW	CK: KLR	DW: JTR	CK: GAF
© TxDOT May 2005	DISTRICT	FEDERAL AID PROJECT		SHEET
REVISIONS				
COUNTY	CONTROL	SECT	JOB	HIGHWAY

ACC:

LEVELS DISPLAYED	1
------------------	---