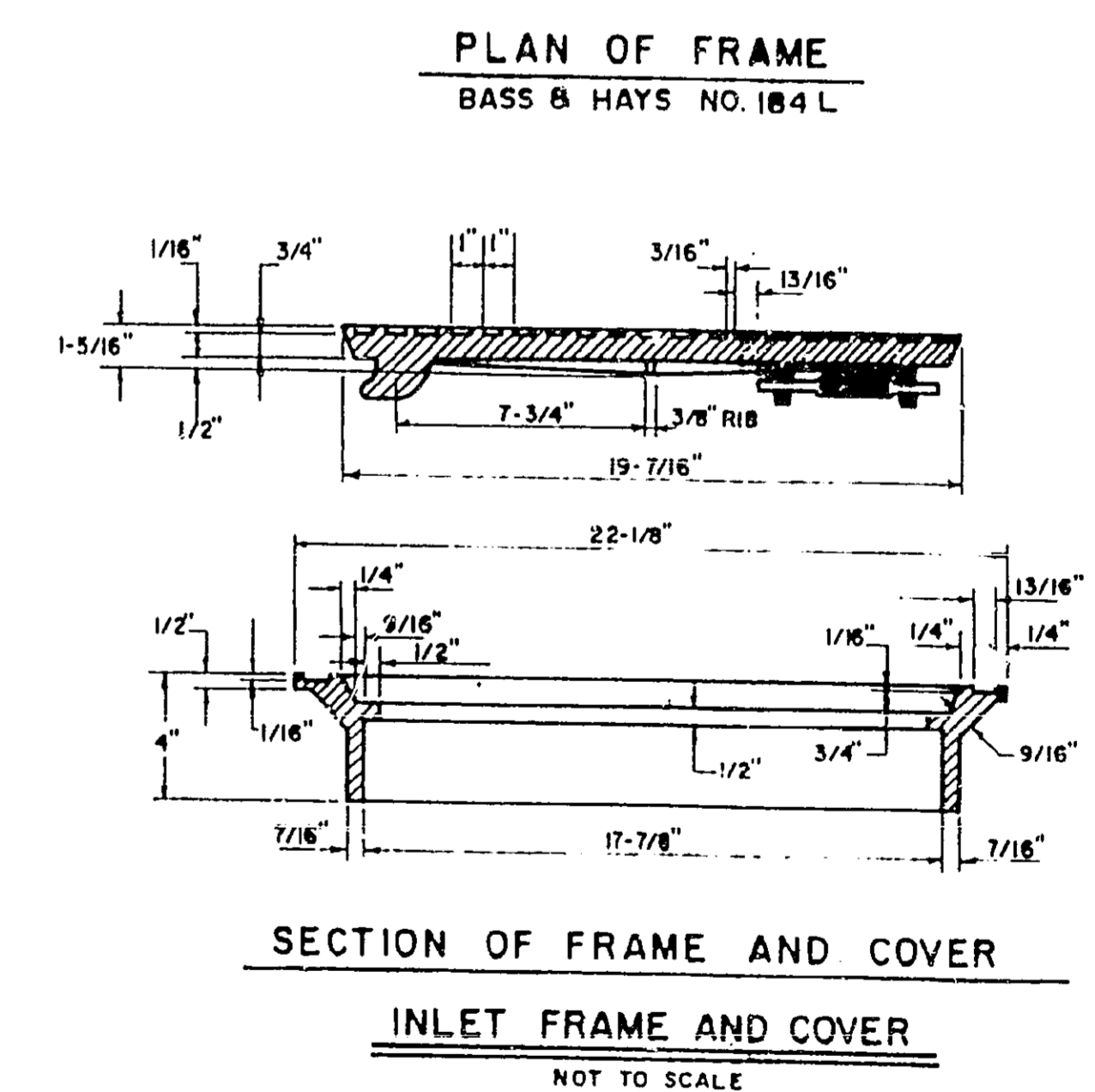
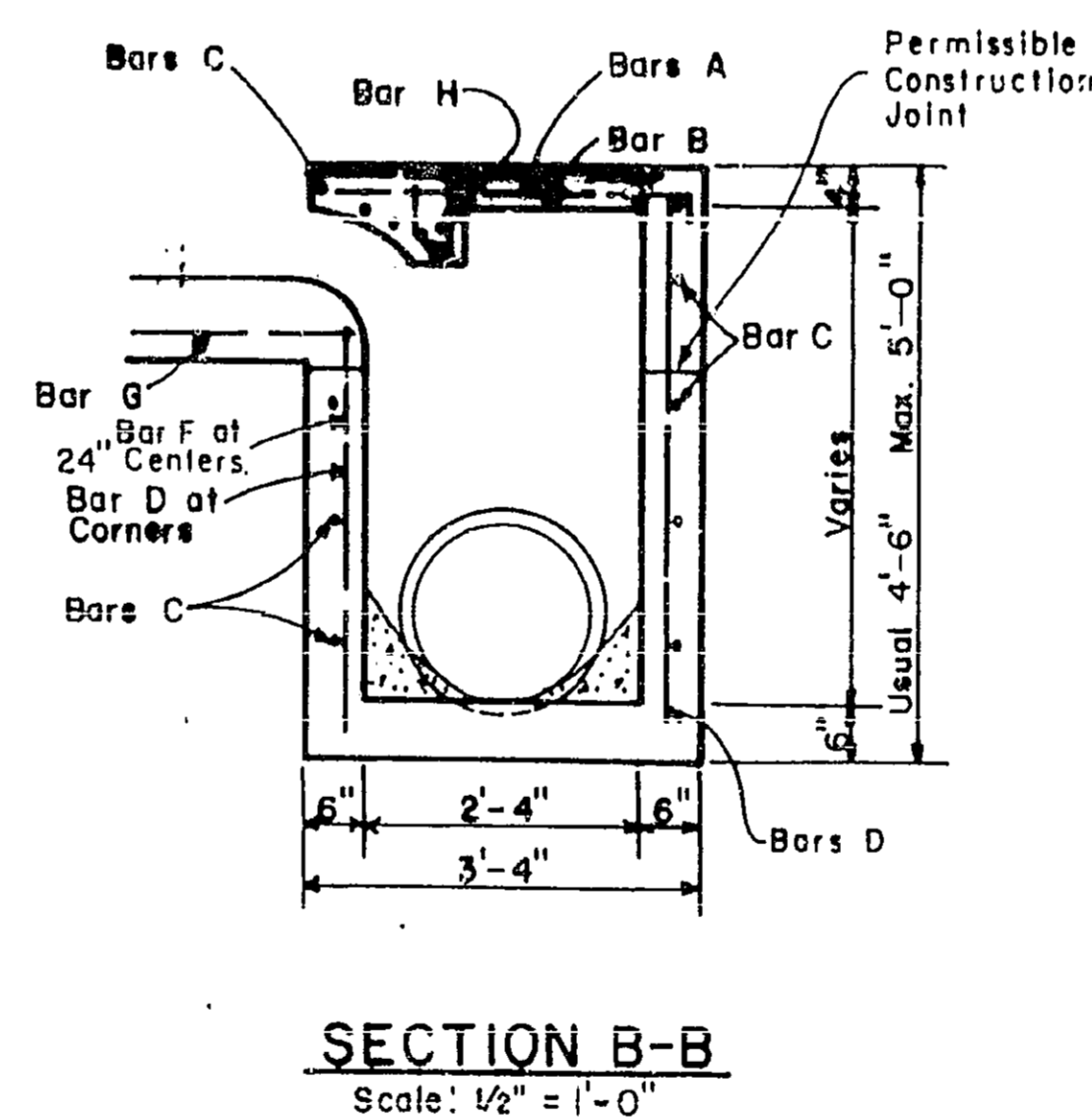
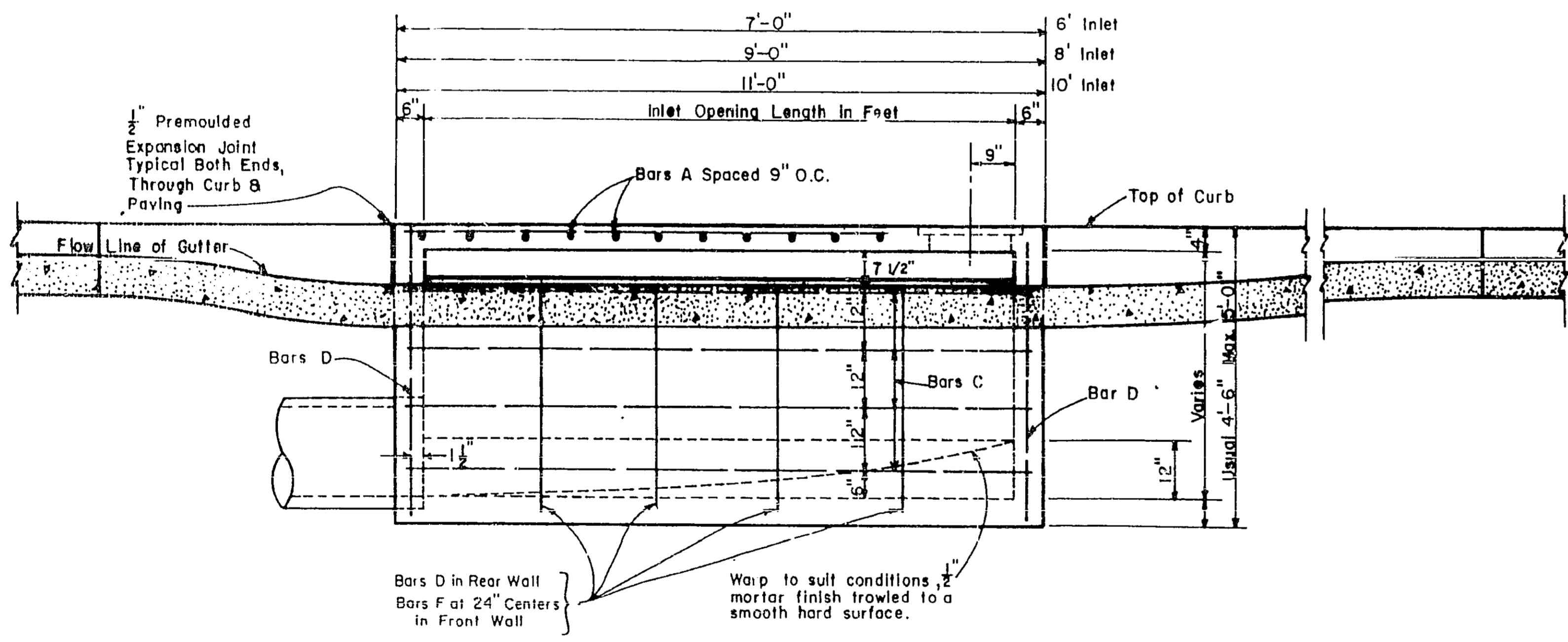
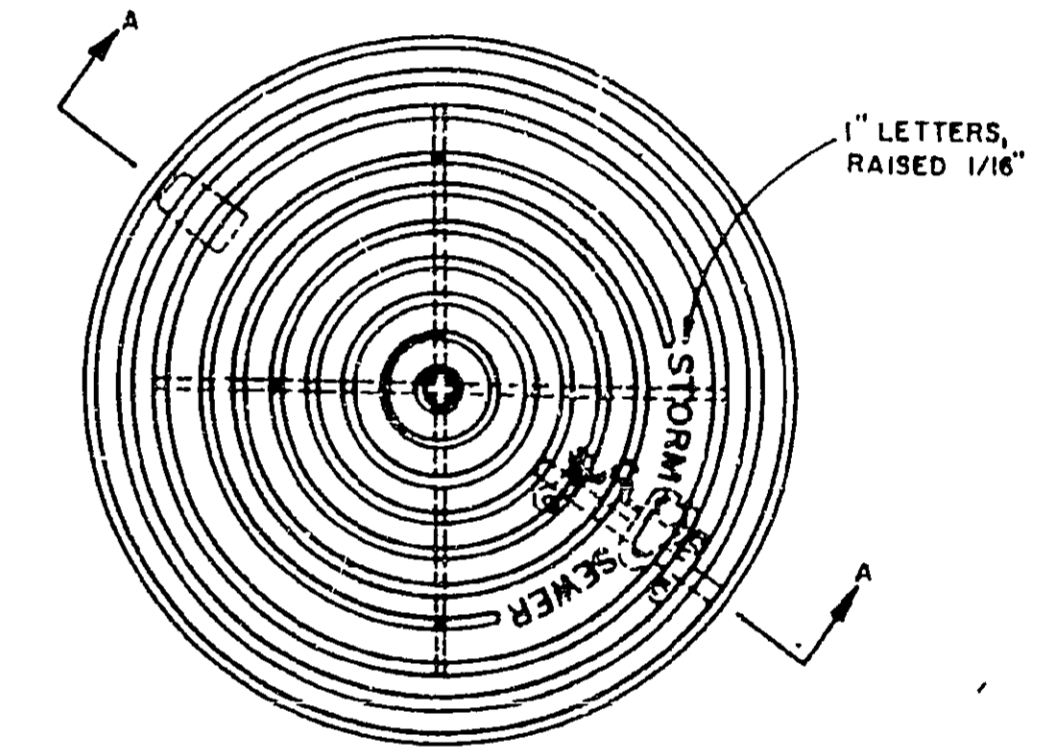
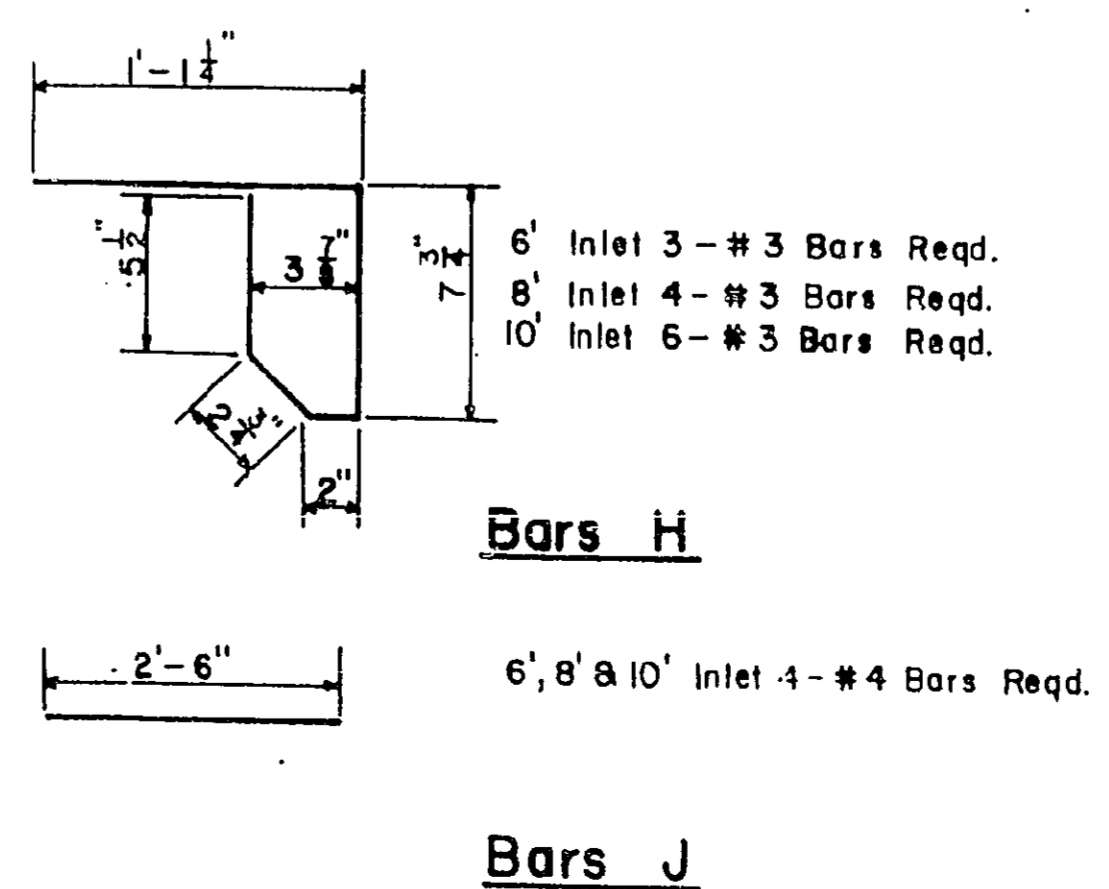
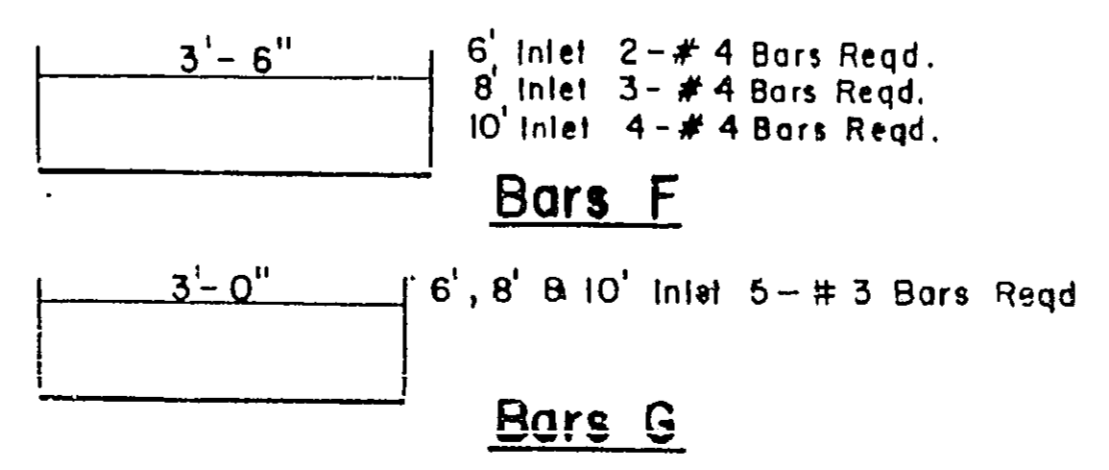
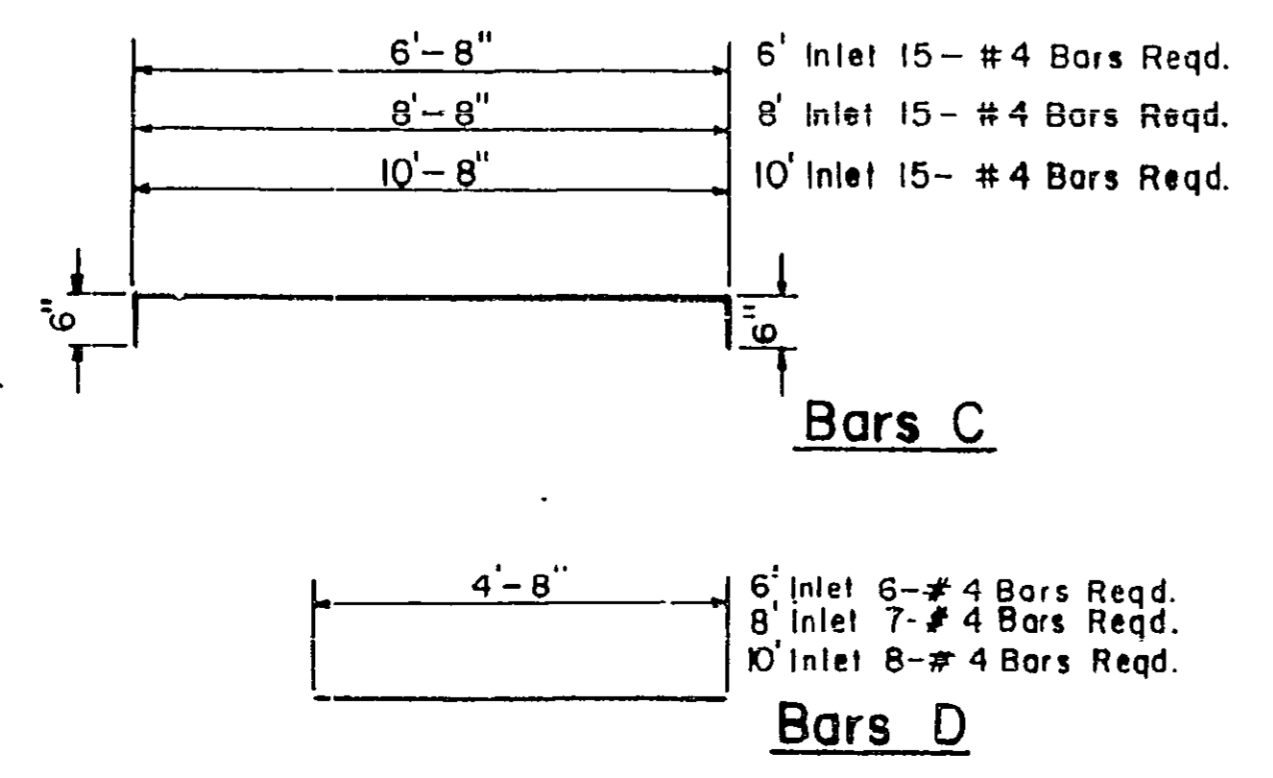
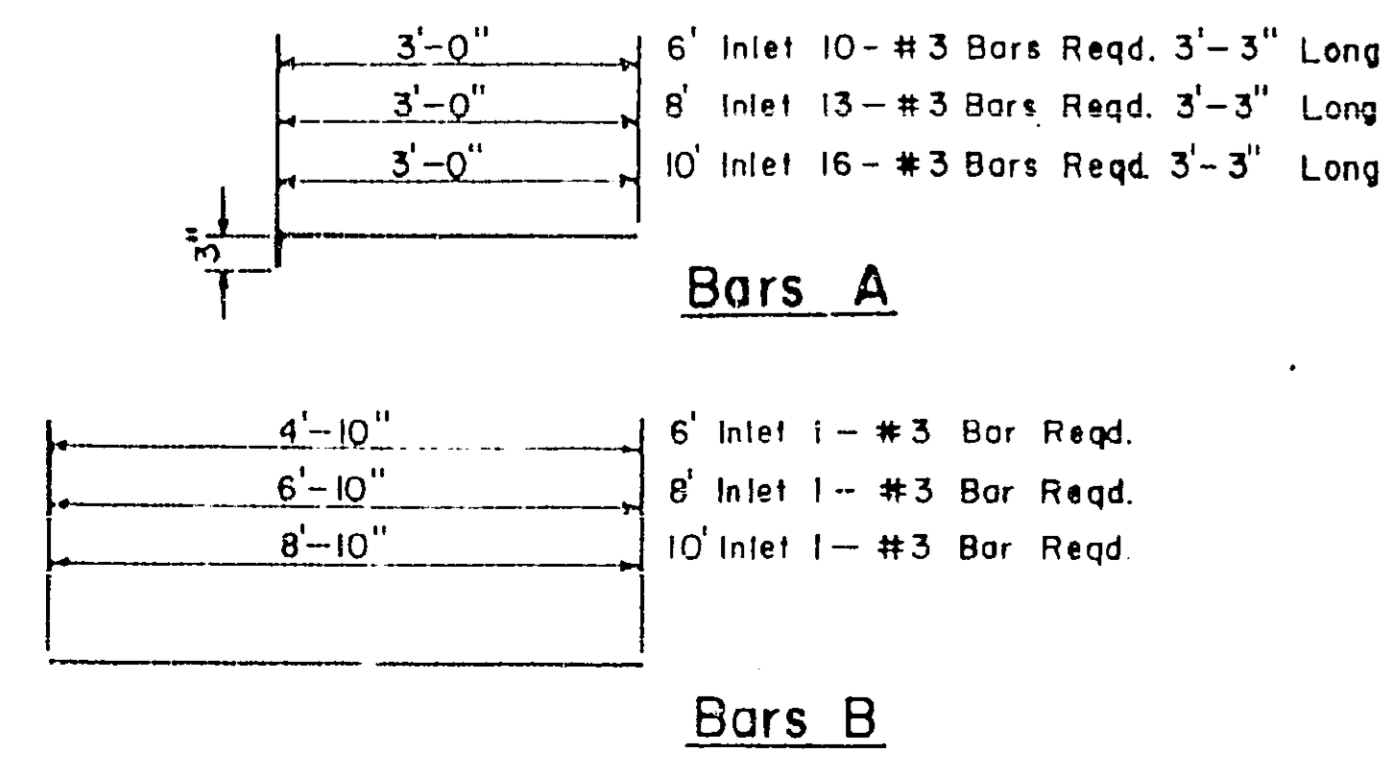


6', 8', & 10' RECESSED INLET
Scale: 1/2" = 1'-0"



GENERAL NOTES:
1. All rough areas on exposed concrete are to be rubbed smooth.
2. Pipe-to-inlet connections are to be grouted and deburred.



Rev. Sept. '91
Rev. Oct. '89 - Changed Inlet Frame & Cover
Rev. Sept. '86 - 6', 8', & 10' Flush Inlet; Sect. AA & BB; Bars D & Bars F

STANDARD AND RECESSED INLETS

CITY OF MESQUITE
DEPARTMENT OF COMMUNITY DEVELOPMENT
ENGINEERING DIVISION

STANDARD DETAILS

Design	Drawn	Date	Scale	Notes	File	Sheet
S.R.K.	Feb. '80	As Noted			01-5927	20 of 23